

## Standard



# 100 SERIES

- High quality dry gauges for reliable service on applications not corrosive to brass
- Vacuum and compound through 15,000 psi
- 1-1/2, 2, 2-1/2, 4 inch sizes – bottom, back, left and right side connections
- Dry, ABS case (steel, chrome or stainless steel optional)
- All brass or brass with Delrin® internals
- Panel Mount Clamp and Front Flange mounting
- Standard UV resistant dials are dual scale in psi and kPa (kilopascals); dual scale psi/bar and psi/kg/cm<sup>2</sup> are available in most popular ranges
- Stock availability

### OPERATING SPECIFICATIONS

#### 1. Working Pressure Limitations

- Dynamic Pressure**  
The working pressure should be limited to 60% of the dial range.
- Static Pressure**  
The working pressure, where no sharp fluctuations occur, should be limited to 90% of the dial range

#### 2. Ambient Temperature

0°F to 140°F (-18°C to 60°C)

#### 3. Media Temperature

-4°F to 140°F (-20°C to 60°C)

### APPLICATIONS

- Hydraulics
- Pneumatics
- Petrochemical
- Medical
- Food
- Pharmaceutical
- Most industrial and commercial applications

### ACCURACY

- 1-1/2, 2 and 2-1/2 Inch 100 Series Gauges: ±2.5%
- 4 Inch 100 Series Gauges: ±1.5%

	MODELS	SPECIFICATIONS
Case	15-100, 15-110, 20-100, 20-110, 20-148, 25-100, 40-100	ABS (Acryl Nitril Butadien Styrol)
	15-120, 20-120, 25-120	Black painted steel with chrome triangular bezel and U-Clamp
Bezel	15-110, 20-110, 25-110	Built-in bezel, molded as an integral part of the case for ease of panel mounting.
	15-120, 20-120, 25-120	Chrome plated steel triangular bezel
Lens	15-100, 15-110, 15-120, 20-100, 20-110, 20-120, 20-148, 25-100, 25-110, 25-120, 40-100	Clear front Plexiglass™
Bourdon Tube	15-100, 15-110, 15-120, 20-100, 20-120, 20-110, 20-148, 25-100, 25-120, 25-110, 40-100	Phosphor bronze
Connection	15-100, 15-110, 15-120, 20-100, 20-110	1/8" NPT brass
	20-148	1/8" NPT/10-32 female brass
	20-100, 20-110, 20-120, 25-100, 25-110, 25-120, 40-100	1/4" NPT brass
Movement	15-100, 15-110, 15-120, 20-100, 20-110, 20-120, 20-148, 25-100, 25-110, 25-120, 40-100	Brass & Nylon, or All-Brass with highly polished bearing surfaces
Accuracy	15-100, 15-110, 15-120, 20-100, 20-110, 20-120, 20-148, 25-100, 25-110, 25-120, 40-100	± 2.5% Full Scale ASME grade B
	40-100	± 1.5% Full Scale ASME grade A
Pointer	15-100, 15-110, 15-120, 20-100, 20-120, 20-110, 20-148, 25-100, 25-110, 25-120, 40-100	Molded plastic
Dial	15-100, 15-110, 15-120, 20-100, 20-110, 20-120, 20-148, 25-100, 25-110, 25-120, 40-100	White background with black psi scale and red kPa scale. UV resistant

For details on accuracy/standard dial configuration and dial layouts, see pages 74-78

ORDERING INFORMATION								
<b>SERIES</b>	100							
<b>SIZE</b>	15	1-1/2 Inch	20	2 Inch	25	2-1/2 Inch	40	4 Inch
<b>CASE TYPE</b>	100	ABS, Bottom Connection	120	Steel Case Panel Mount				
	110	ABS, Back Connection	148	Square ABS, Panel Mount (2" only)				
<b>PRESSURE RANGES</b>	30" Vac	-30 inHg vacuum to 0	30/300	-30 inHg to 0 to 300 psi	200	0 psi to 200 psi	2000	0 psi to 2000 psi
	30/15	-30 inHg to 0 to 15 psi	15	0 psi to 15 psi	300	0 psi to 300 psi	3000	0 psi to 3000 psi
	30/30	-30 inHg to 0 to 30 psi	30	0 psi to 30 psi	400	0 psi to 400 psi	5000	0 psi to 5000 psi
	30/60	-30 inHg to 0 to 60 psi	60	0 psi to 60 psi	600	0 psi to 600 psi	6000	0 psi to 6000 psi
	30/100	-30 inHg to 0 to 100 psi	100	0 psi to 100 psi	1000	0 psi to 1000 psi	10000	0 psi to 10000 psi
	30/160	-30 inHg to 0 to 160 psi	160	0 psi to 160 psi	1500	0 psi to 1500 psi	15000	0 psi to 15000 psi
	30/200	-30 inHg to 0 to 200 psi	Other ranges available on request					
<b>SCALE OPTION</b>	psi	psi single scale	psi/kPa	psi/kPa dual scale	psi/kg/cm <sup>2</sup>	psi/kg/cm <sup>2</sup> dual scale	psi/bar	psi/bar dual scale
				Other scales available on request				
<b>CONNECTION SIZE</b>	1/8	1/8" NPT	7/16	7/16-20 SAE #4	1/4	1/4" NPT		
<b>OPTIONS</b>	PMC	Panel mount clamp	SSC	Stainless steel case	LL	Lexan Lens	ST	Stainless steel tagging
	SSB	Polished Stainless steel bezel	CRC	Chrome case	GL	Glass lens*	CPO	Brass Sintered orifice 20 micron
	BLRF	Black rear flange	FAC	Flat sided ABS case	SGL	Safety glass lens*	BP1	Brass press fit orifice 0.1 mm
	BLFF	Black front flange – ABS case	BCR	Black cover ring**	HL	Homalite lens*	BP3	Brass press fit orifice 0.3 mm
	CFF	Chrome front flange – ABS case	SSCR	Stainless steel cover ring**	SP	Red set pointer**	BP8	Brass press fit orifice 0.8 mm
	SBFF	Black front flange – steel case	CCR	Chrome cover ring**	MIP	Maximum indicating pointer		
	SCFF	Chrome front flange – steel case	PCCR	Polished Chrome cover ring**	SDM	Silicone dampened movement		
	BSC	Black steel case	CAR	Chrome adapter ring*	LM	Laser marking		

Please consult your local NOSHOK Distributor or NOSHOK, Inc. for availability and delivery information.

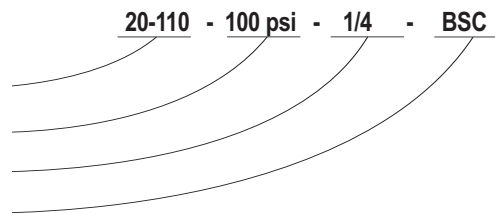
NOTE: Refer to 100 Series Options & Accessories chart on page 64 for availability by model number.

\* A steel, stainless or chrome case & cover ring must be additionally ordered when lenses other than Plexiglass™ are utilized on all 100 Series models.

\*\* Only 110 Models require a steel, stainless or chrome case & cover ring to be additionally ordered when utilizing a set pointer or cover ring. Please consult factory when a set pointer is to be utilized on a 120 Model.

### EXAMPLE

1. Select model number (size & case type)
2. Select pressure range & scale option
3. Select NPT connection size (if more than one is offered)
4. Select any required accessory or option

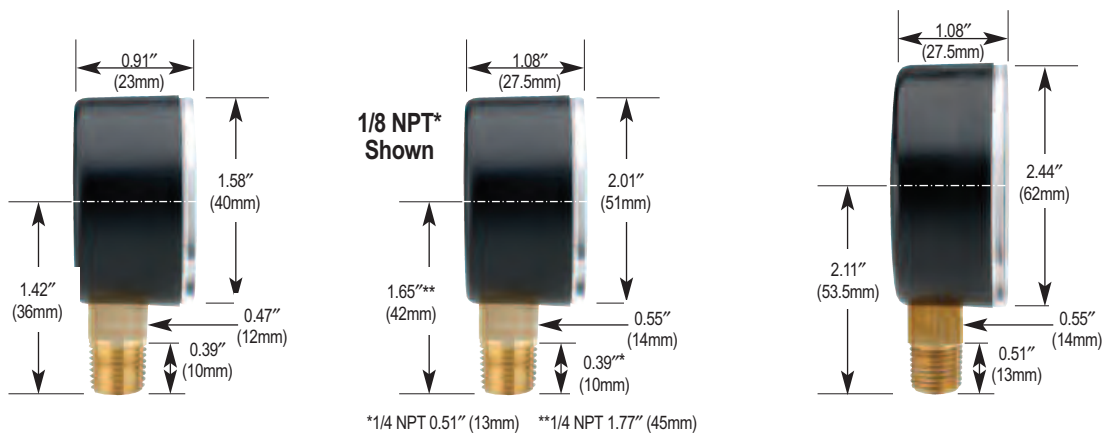


### OUTLINE DIMENSIONS

15-100

20-100

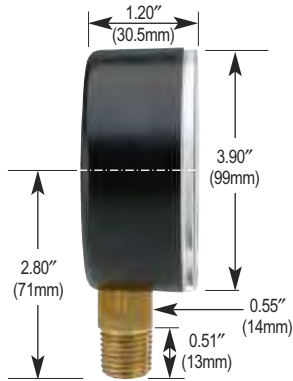
25-100



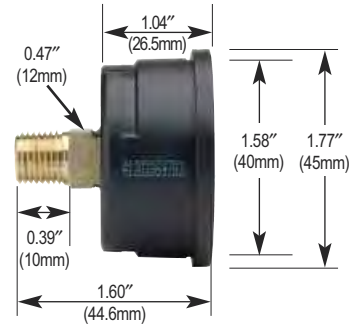
# Dial Indicating Pressure Gauges

## Dimensions

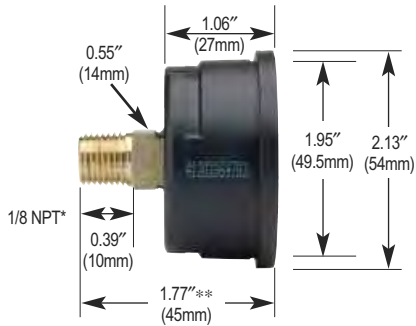
40-100



15-110

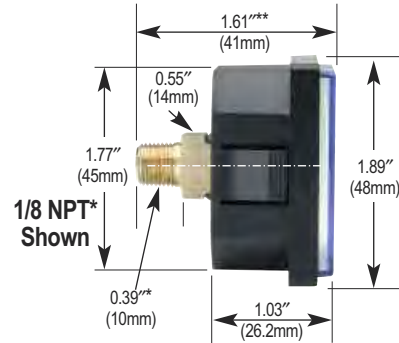


20-110



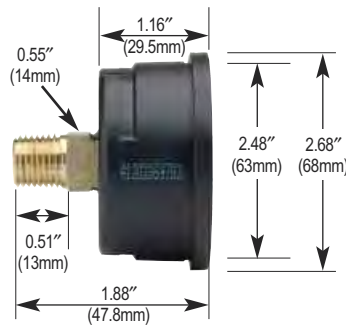
\*1/4 NPT 0.51" (13mm) \*\*1.89" (48mm)

20-148

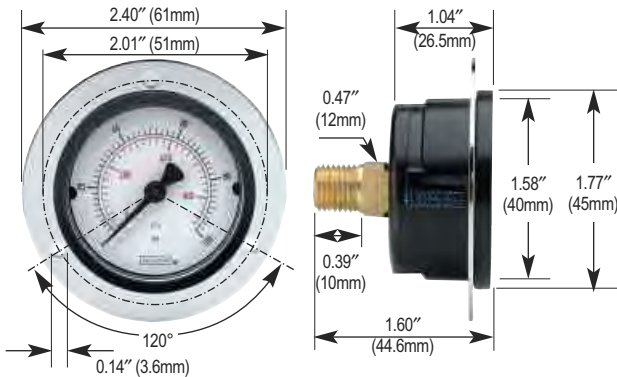


\*1/4 NPT 0.51" (13mm) \*\*1/4 NPT 1.81" (46mm)

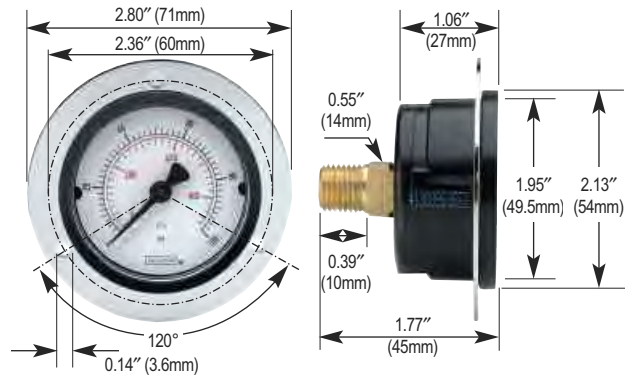
25-110



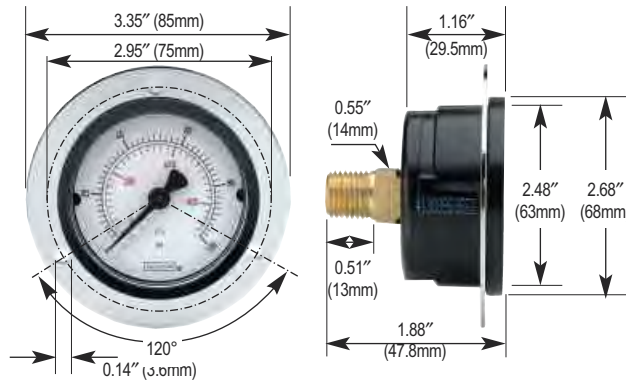
15-110 Front Flange



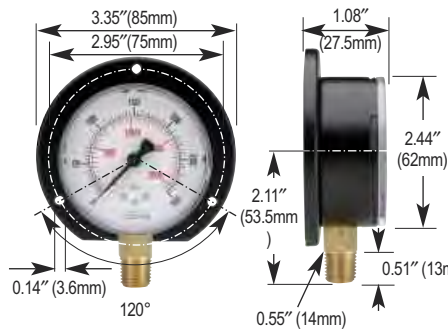
20-110 Front Flange



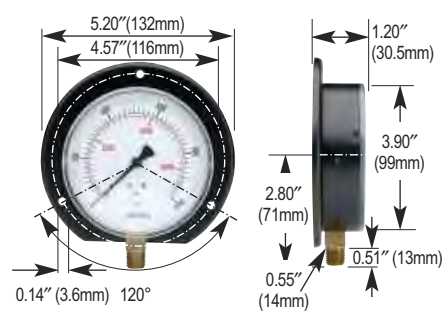
**25-110 Front Flange**



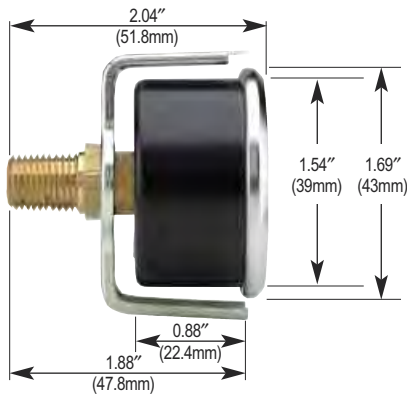
**25-100 Rear Flange**



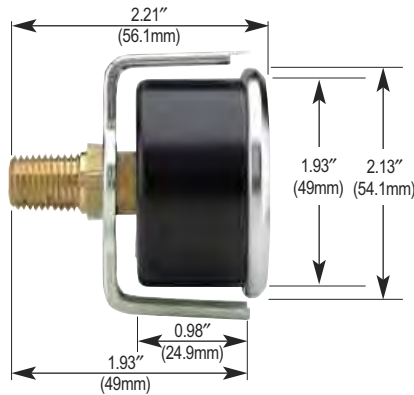
**40-100 Rear Flange**



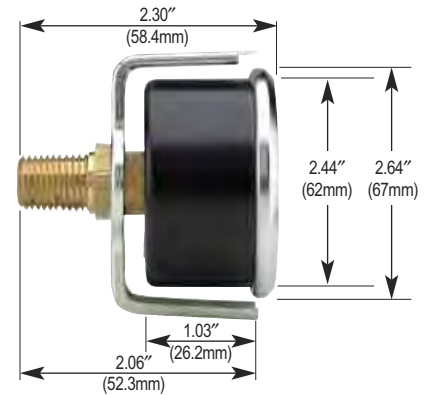
**15-120 Chrome Triangular Bezel with U-Clamp**



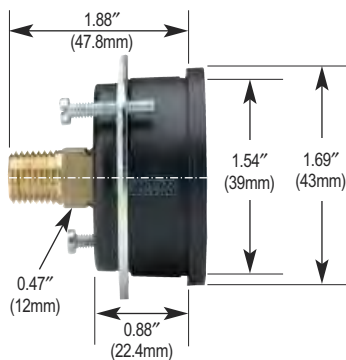
**20-120 Chrome Triangular Bezel with U-Clamp**



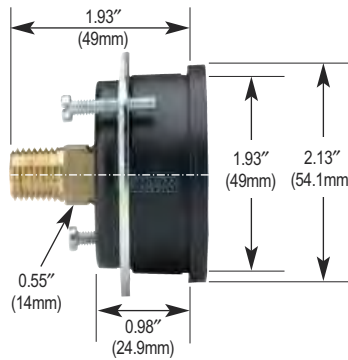
**25-120 Chrome Triangular Bezel with U-Clamp**



**15-110 Panel Mount Clamp**



**20-110 Panel Mount Clamp**



**25-110 Panel Mount Clamp**

